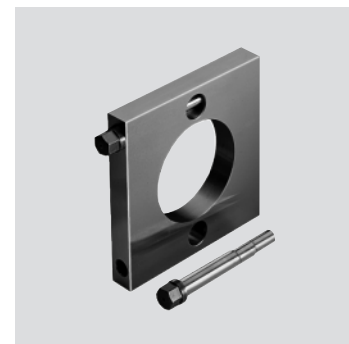
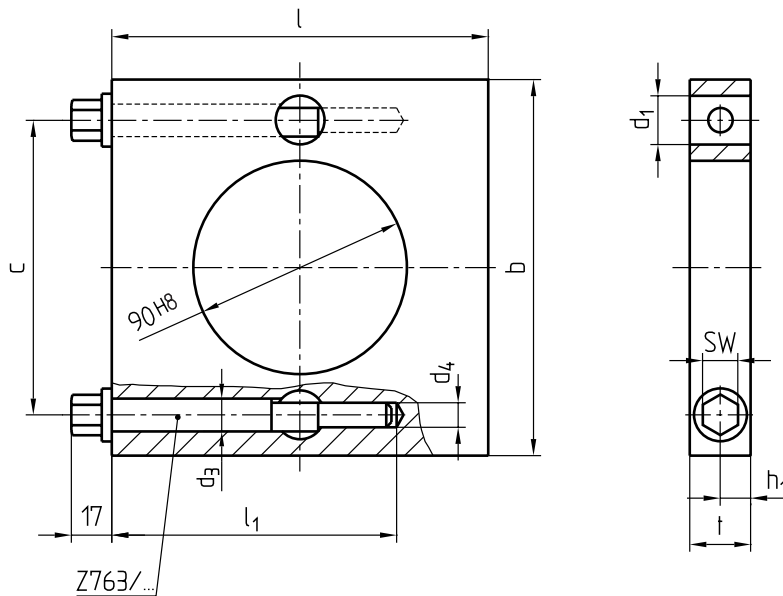


Z76/...

Mat.: 1.2312/1080 N/mm²

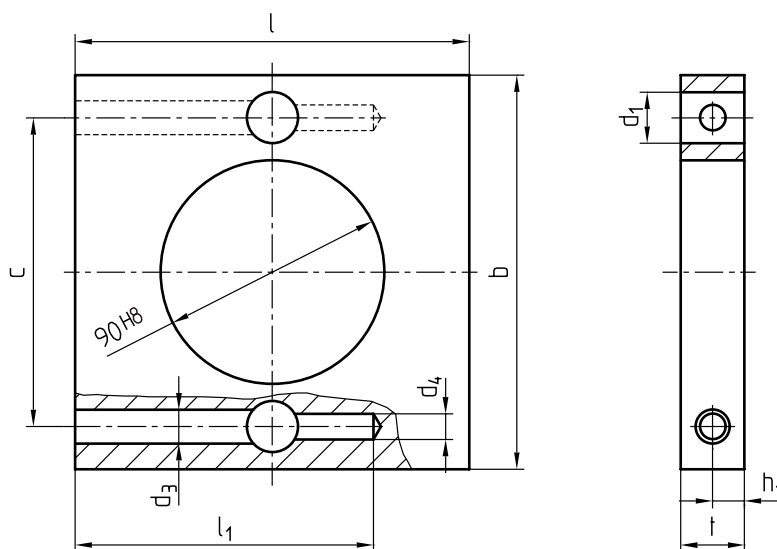


► Info

SW	l_1	d_1	d_3	d_4	c	h_1	t	b	l	Nr./No.
17	120	22	14	12	120	10	22	156	156	Z76/156x156
	140				196			196	196x196	
19	170	26	16	14	160	12	27	246	246	246x246
	195				296			296	296x296	

Z761/...

Mat.: 1.2312/1080 N/mm²



► Info

l_1	d_1	d_3	d_4	c	h_1	t	b	l	Nr./No.
120	22	14	12	120	10	22	156	156	Z761/156x156
140				196			196	196x196	
170	26	16	14	160	12	27	246	246	246x246
195				296			296	296x296	

This is trial version
www.adultpdf.com